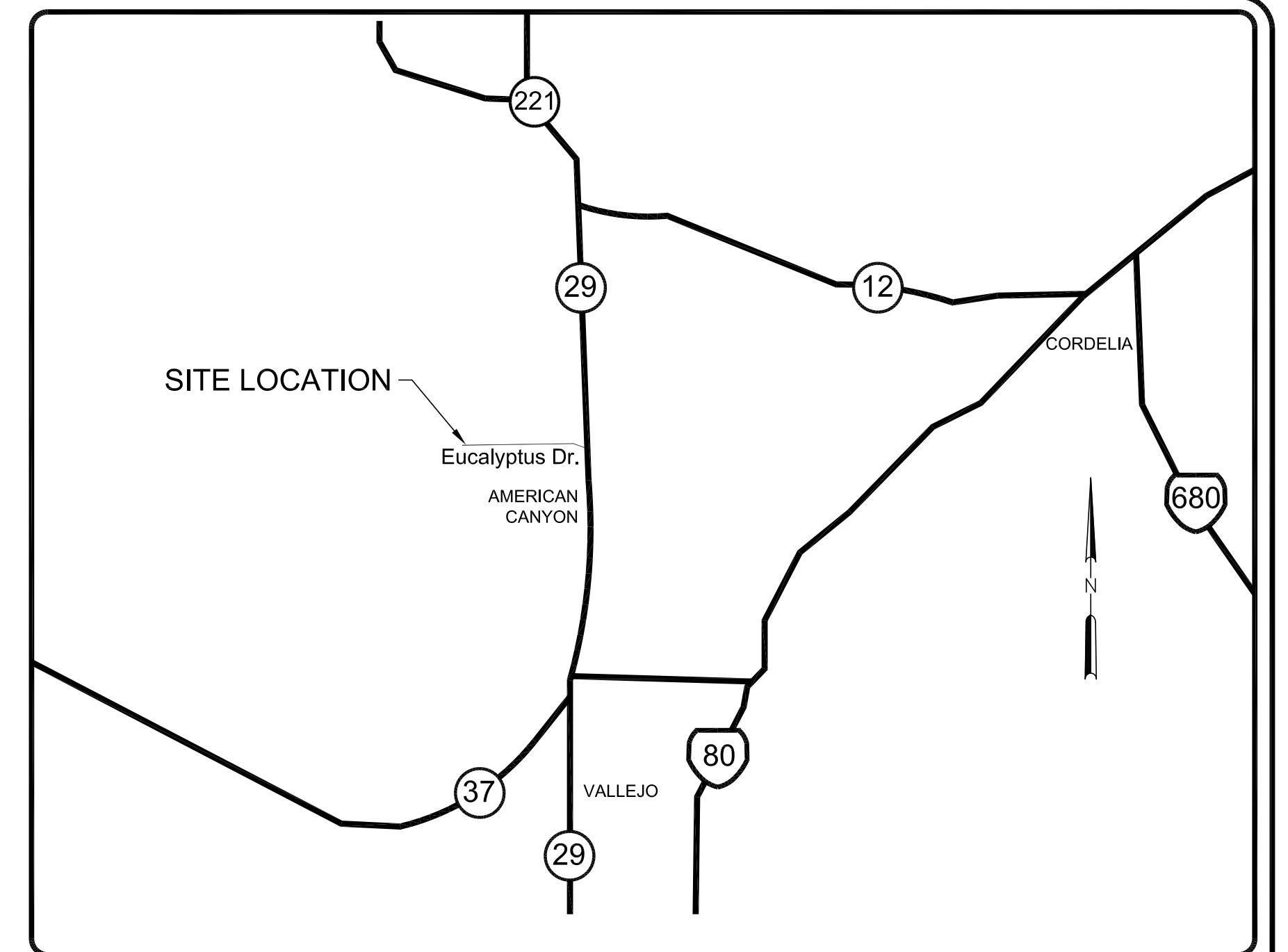


LOCATION MAP
NTS

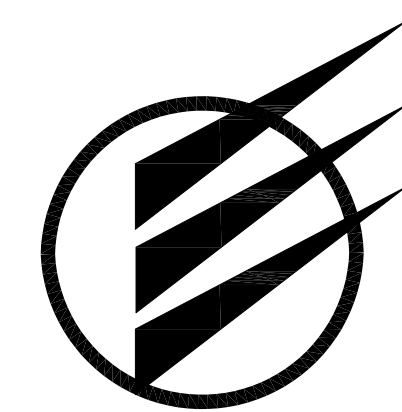
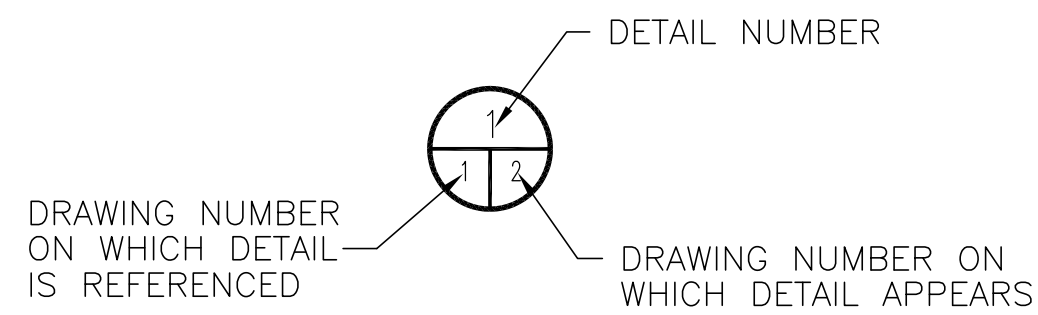
PLANS FOR THE AMERICAN CANYON SANITARY LANDFILL STANDBY GENERATOR PROJECT NO. 19810 NAPA COUNTY STATE OF CALIFORNIA

APRIL 2019



VICINITY MAP
NTS

SYMBOLS



PREPARED FOR:
**Napa/Vallejo Waste
Management Authority**

DRAWING INDEX

DWG. NO.	TITLE	REV. NO.	DATE
1	TITLE SHEET	0	4/3/19
C1	FACILITY PLAN	0	4/3/19
C2	SITE PLAN	0	4/3/19
EP1	ELECTRICAL ONE LINE DIAGRAM	0	2/25/19

GENERAL NOTES

1. DETAILS OF CONSTRUCTION, MATERIALS AND WORKMANSHIP NOT SHOWN IN THESE DRAWINGS SHALL CONFORM TO THE PERTINENT REQUIREMENTS OF THE STANDARD SPECIFICATIONS AND ANY APPLICABLE CONTRACT SPECIFICATIONS.
2. CONTRACTOR SHALL PROVIDE ALL UTILITIES (WATER, ELECTRICAL AND TELEPHONE SERVICE) AS NECESSARY TO SUCCESSFULLY COMPLETE ANY AND ALL CONSTRUCTION ACTIVITIES.
3. ALL EXISTING FENCES, PIPELINES, GAS LINES, ETC. SHALL BE PROTECTED FROM DAMAGE OR BE REPLACED AT THE CONTRACTOR'S EXPENSE.
4. ALL EXISTING AND PROPOSED LOCATIONS AND DIMENSIONS SHALL BE FIELD VERIFIED BY THE CONTRACTOR PRIOR TO STARTING WORK.
5. CONTRACTOR SHALL COORDINATE WITH NAPA/VALLEJO WASTE MANAGEMENT AUTHORITY ON ALL CONSTRUCTION ACTIVITIES.
6. CONTRACTOR SHALL TAKE ALL PRECAUTIONARY MEASURES NECESSARY TO PROTECT FROM DAMAGE ALL EXISTING UTILITIES WHICH ARE TO REMAIN IN PLACE. ANY DAMAGE DONE BY THE CONTRACTOR'S OPERATIONS SHALL BE EXPEDITIOUSLY REPAIRED OR RECONSTRUCTED TO THE ENGINEER'S SATISFACTION AT THE CONTRACTOR'S SOLE EXPENSE WITHOUT ADDITIONAL COMPENSATION.
7. CONTRACTOR AGREES TO ASSUME SOLE AND COMPLETE RESPONSIBILITY FOR JOB-SITE CONDITIONS DURING THE COURSE OF CONSTRUCTION OF THIS PROJECT, INCLUDING SAFETY OF ALL PERSONS AND PROPERTY, AS REQUIRED BY THE CONTRACT DOCUMENTS.
8. CONTRACTOR SHALL LOCATE ALL UTILITIES IN THE CONSTRUCTION AREA PRIOR TO ANY WORK.
9. THE CONTRACTOR SHALL SURVEY ALL INSTALLED UTILITIES AFTER CONSTRUCTION TO BE INCLUDED IN THE AS-BUILT DRAWINGS.
10. CONTRACTOR TO INSPECT SITE PRIOR TO MOBILIZATION TO ENSURE SUFFICIENT CLEARANCE FROM OVERHEAD UTILITIES. CONTRACTOR TO PROVIDE ALL NECESSARY EQUIPMENT AND SAFETY SPOTTERS TO ENSURE ALL UTILITIES ARE PROTECTED DURING THE DURATION OF THE PROJECT. CONTRACTOR RESPONSIBLE FOR ANY DAMAGE TO UTILITIES.
11. CONTRACTOR SHALL POSSESS THE CLASS (OR CLASSES) OF LICENSE AS REQUIRED TO COMPLETE THE WORK IN ACCORDANCE WITH THE PLANS AND SPECIFICATIONS.

ABBREVIATIONS

AWG	AMERICAN WIRE GAUGE
C	CENTER LINE
CBM	CERTIFIED BALLAST MANUFACTURER
CMP	CORRUGATED METAL PIPE
CONC	CONCRETE
CP	CONTROL POINT
CPE	CORRUGATED POLYETHYLENE PIPE
∅	DIAMETER
DIA	DIAMETER
E	EASTING
EL	ELEVATION
FRP	FIBERGLASS REINFORCED POLYMER
FT	FEET
GND	GROUND
HDPE	HIGH DENSITY POLYETHYLENE
HT	HEIGHT
I/O	INPUT/OUTPUT
LB	POUND
LE	LEVEL SENSOR
LFG	LANDFILL GAS
LSH	LEVEL SWITCH HIGH
M	METER
N	NORTHING
NIC	NOT IN CONTRACT
NTS	NOT TO SCALE
PT	POINT
PVC	POLYVINYL CHLORIDE
PSI	POUNDS PER SQUARE INCH
RGS	RIGID GALVANIZED STEEL
SDR	STANDARD DIMENSION RATIO
SS	STAINLESS STEEL
TS	TANK NUMBER 5
TYP	TYPICAL
SCH	SCHEDULE
VAC	VOLTS ALTERNATING CURRENT
VDC	VOLTS DIRECT CURRENT

PREPARED BY:



PROJECT NO.
631003930



APPROVALS

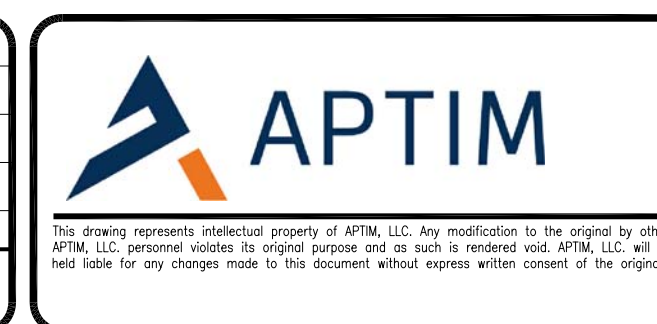
CHRISTOPHER RICHGELS, P.E. C47767
PROJECT ENGINEER

XX/XX/XXXX

DATE

ISSUED FOR BID

REV	DATE	DESCRIPTION	DWN BY	DES BY	CHK BY	APP BY
DATE OF ISSUE	04/03/2019	DWN BY E. KORSMO	DES BY E. KORSMO	CHK BY D. THOMPSON	APP BY C. RICHGELS	

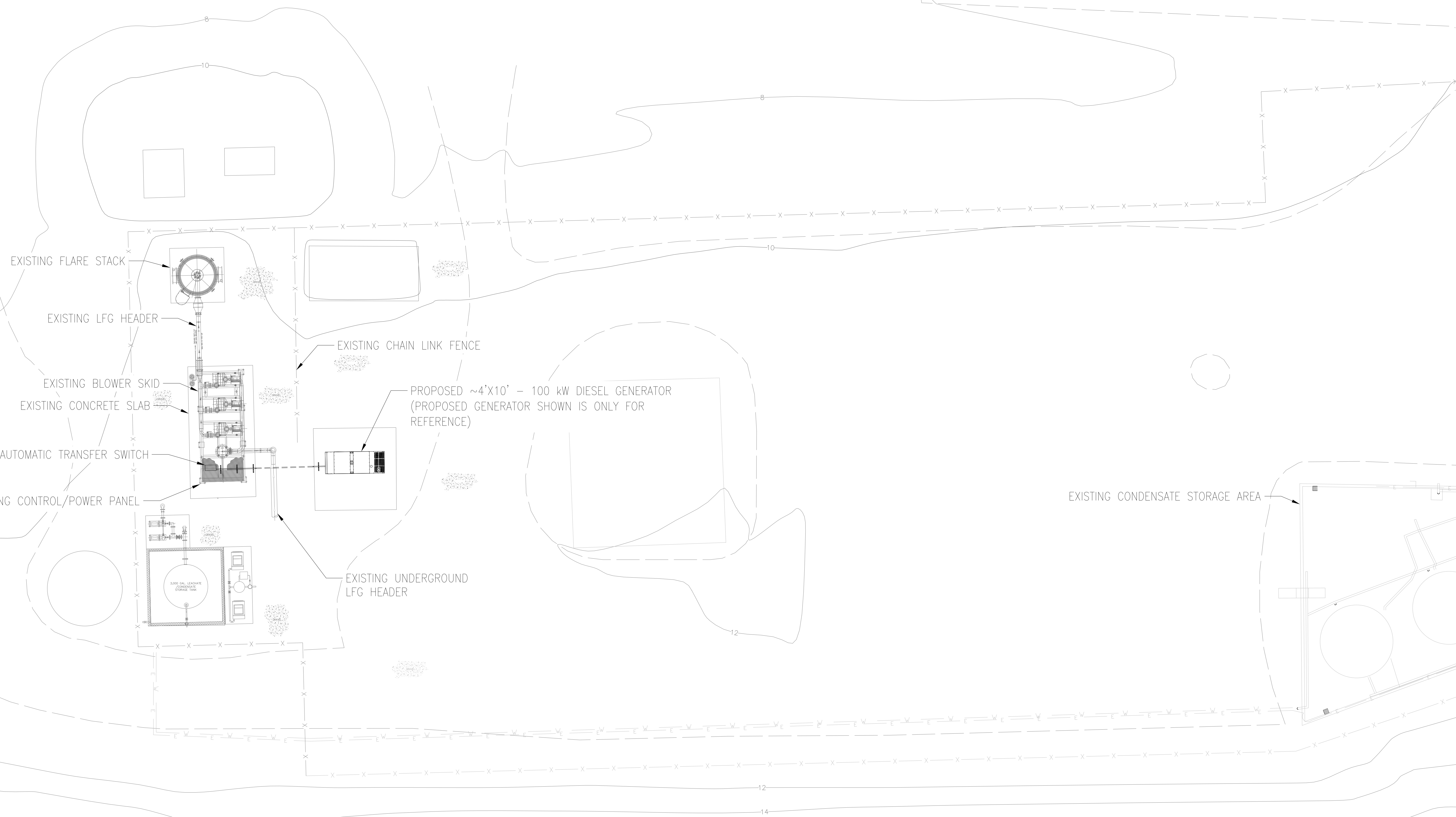


**BACKUP GENERATOR INSTALLATION
TITLE SHEET**

NAPA-VALLEJO WASTE MANAGEMENT AUTHORITY
AMERICAN CANYON SANITARY LANDFILL
NAPA COUNTY, CALIFORNIA

DWG. NO.
1

PROJECT NO.
631003930



EXISTING FLARE STACK

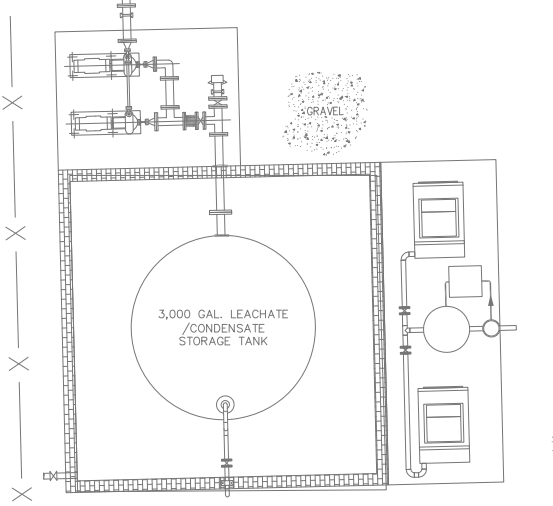
EXISTING LFG HEADER

EXISTING BLOWER SKID

EXISTING CONCRETE SLAB

PROPOSED AUTOMATIC TRANSFER SWITCH

EXISTING CONTROL/POWER PANEL



EXISTING CHAIN LINK FENCE

PROPOSED ~4'x10' - 100 kW DIESEL GENERATOR
(PROPOSED GENERATOR SHOWN IS ONLY FOR REFERENCE)

EXISTING UNDERGROUND LFG HEADER

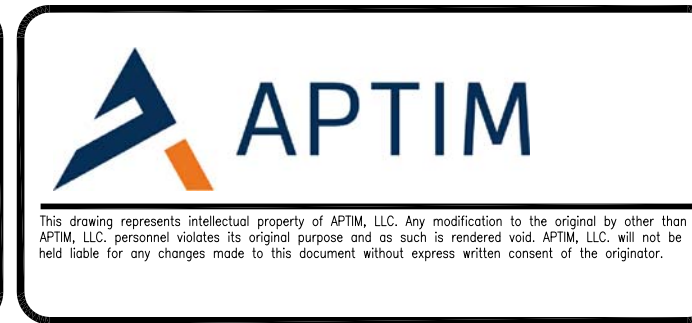
EXISTING CONDENSATE STORAGE AREA

1" = 1/2" = 0"
 XREF File: \\c:\projects\19810-00-20_2019 SURVEY 1\MSD_SPC_20180314.dwg MADE File: APTM Logo Horizontal Color.dwg C:\Users\apj\OneDrive\Work\19810-00-20_2019 SURVEY 1\MSD_SPC_20180314.dwg
 File: C:\Users\apj\OneDrive\Work\19810-00-20_2019 SURVEY 1\MSD_SPC_20180314.dwg - BU: GENERATOR 04/03/2019 Apr 10, 2019 - 1:55pm

0 100 200
2" SCALE IN FEET
DATE OF TOPOGRAPHY: 8-26-2016

ISSUED FOR BID

REV	DATE	DESCRIPTION	DWN BY	DES BY	CHK BY	APP BY
04/03/2019			E. KORSMO		D. THOMPSON	
			E. KORSMO		C. RICHGELS	

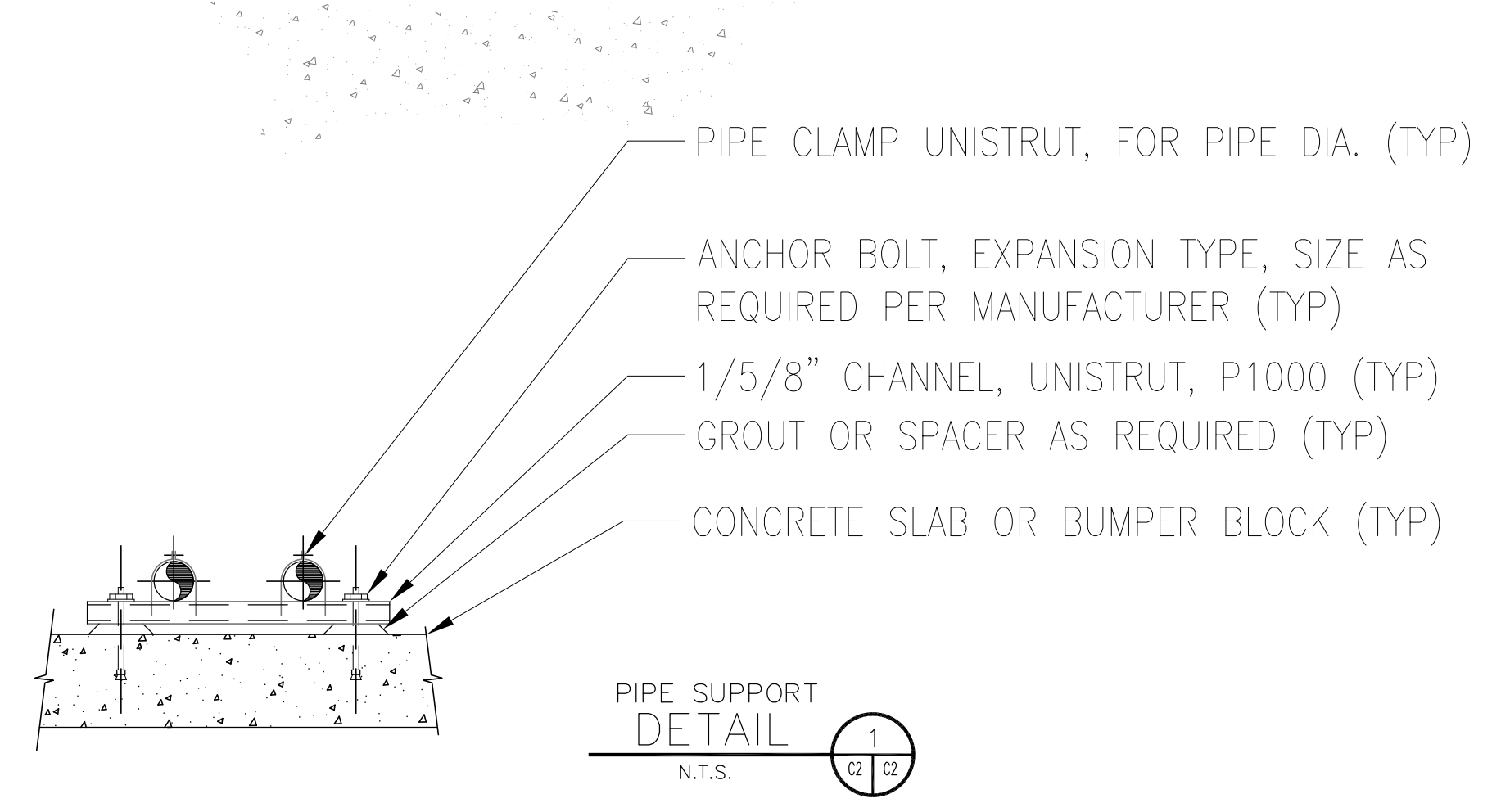


STANDBY GENERATOR - PROJECT NO. 19810
FACILITY PLAN
 NAPA-VALLEJO WASTE MANAGEMENT AUTHORITY
 AMERICAN CANYON SANITARY LANDFILL
 NAPA COUNTY, CALIFORNIA

DWG. NO.
C1
 PROJECT NO.
 631003930

GRAVEL

GRAVEL



EXISTING BLOWER SKID
EXISTING CONCRETE SLAB

EXISTING ABOVEGROUND LFG HEADER

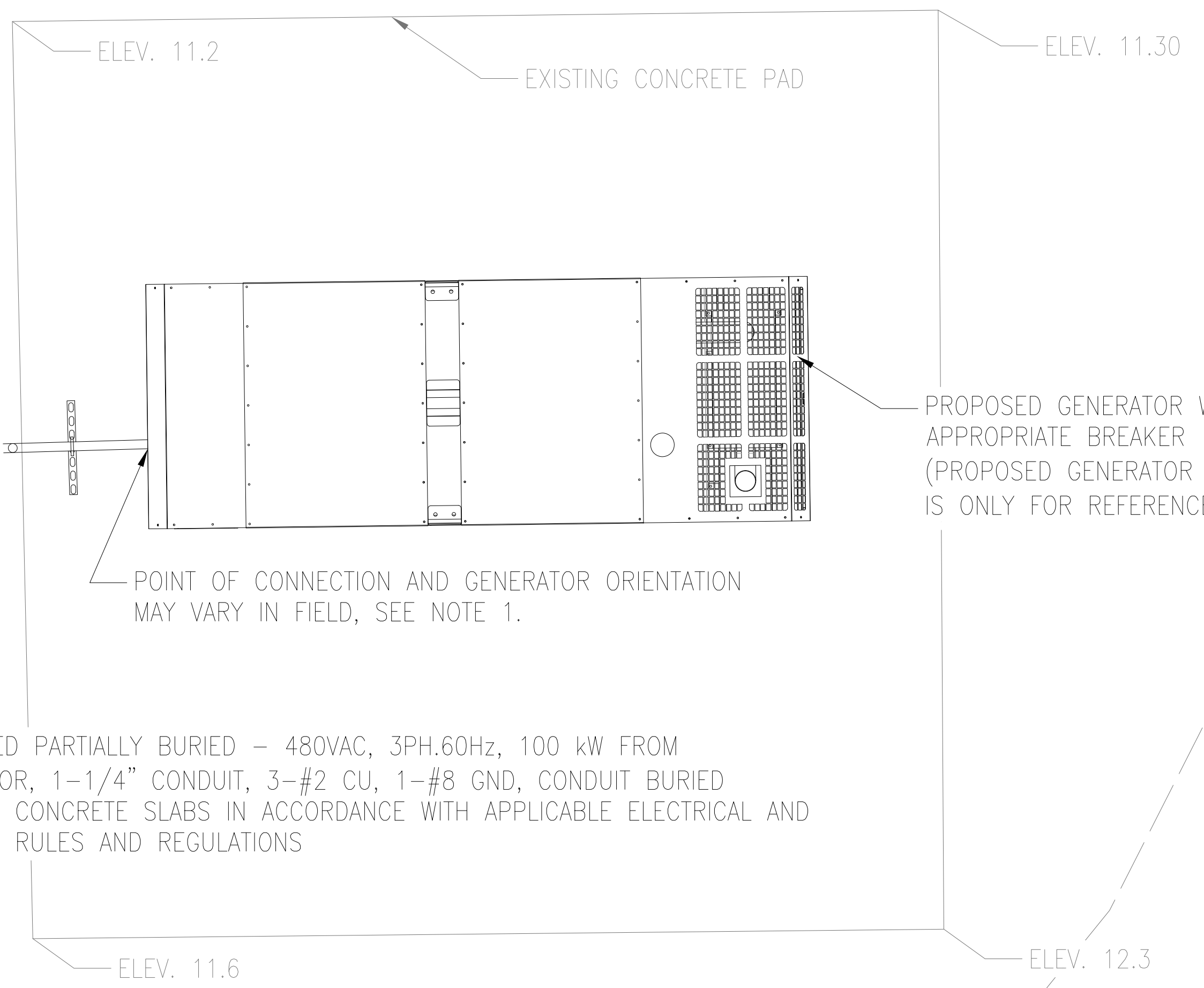
PROPOSED TYPE 3R AUTOMATIC TRANSFER SWITCH (TS) TO BE INSTALLED PER NEC REQUIREMENTS.

CONNECT TO MAIN BREAKER AND M.C.C. SEE SHEET EP1 BY LFG SPECIALTIES

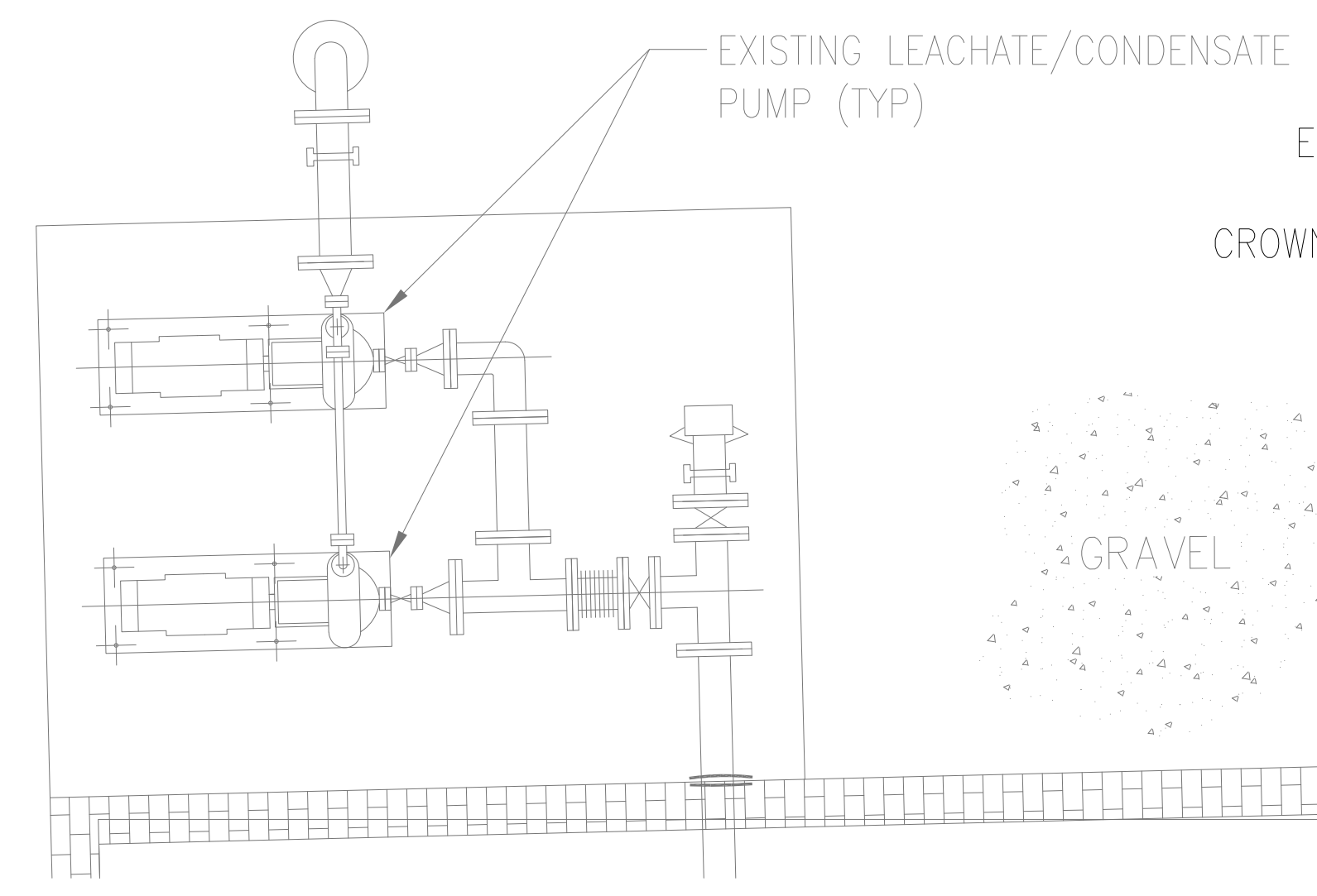
EXISTING CONTROL/POWER PANEL
INCOMING EXISTING POWER
SEC: 480/277VAC, 3PH., 60Hz

ELEV. 10.8

PIPE SUPPORT (TYP) SEE DETAIL



PROPOSED PARTIALLY BURIED - 480VAC, 3PH.60Hz, 100 kW FROM GENERATOR, 1-1/4" CONDUIT, 3-#2 CU, 1-#8 GND, CONDUIT BURIED BETWEEN CONCRETE SLABS IN ACCORDANCE WITH APPLICABLE ELECTRICAL AND BUILDING RULES AND REGULATIONS



EXISTING UNDERGROUND LFG HEADER BURIED APPROXIMATELY 3' TO THE CROWN OF THE PIPE. PROTECT IN PLACE.

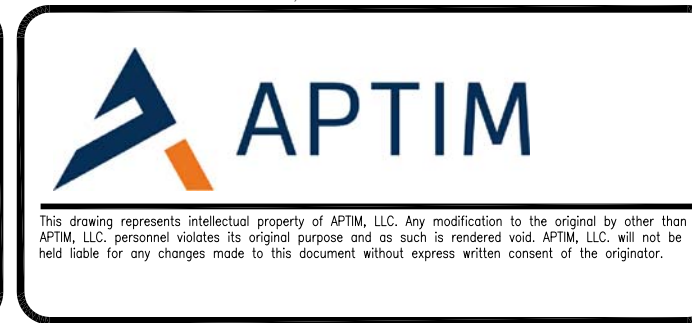
NOTES:

1. CERTAIN FEATURES SHOWN ARE CONCEPTUAL. ACTUAL ORIENTATION AND LOCATION OF THE GENERATOR, PIPING, AUTOMATIC TRANSFER SWITCH TO BE DETERMINED IN THE FIELD WITH THE AUTHORITY. CONTRACTOR TO VERIFY PROPER DISTANCES FOR EQUIPMENT IN CLASSIFIED AREAS.
2. CONTRACTOR IS RESPONSIBLE FOR INSPECTION OF THE WORK AREA, SITE CONDITIONS, AND ELECTRICAL TIE-IN LOCATIONS PRIOR TO BIDDING AND PRIOR TO START OF WORK.
3. CONTRACTOR IS RESPONSIBLE FOR INSTALLATION OF ALL ELECTRICAL WORK IN ACCORDANCE WITH CURRENT APPLICABLE CODE.
4. WORK SHALL MINIMIZE THE DOWNTIME OF THE EXISTING FLARE STATION. ANY DISRUPTIONS IN POWER FOR COMPLETION OF WORK ITEMS SHALL BE COMMUNICATED TO THE OWNER AT LEAST 24 HOURS IN ADVANCE.
5. CONTRACTOR IS RESPONSIBLE FOR COORDINATION WITH LOCAL UTILITY AS NECESSARY (E.G. PG&E).

1" 1/2" 0" 0 20 40 2" SCALE IN FEET DATE OF TOPOGRAPHY: 8-26-2016

ISSUED FOR BID

REV	DATE	DESCRIPTION	DWN BY	DES BY	CHK BY	APP BY
DATE OF ISSUE	04/03/2019	DWN BY E. KORSMO	DES BY E. KORSMO	CHK BY D. THOMPSON	APP BY C. RICHGELS	



STANDBY GENERATOR - PROJECT NO. 19810
SITE PLAN
 NAPA-VALLEJO WASTE MANAGEMENT AUTHORITY
 AMERICAN CANYON SANITARY LANDFILL
 NAPA COUNTY, CALIFORNIA

DWG. NO.
C2
 PROJECT NO.
 631003930

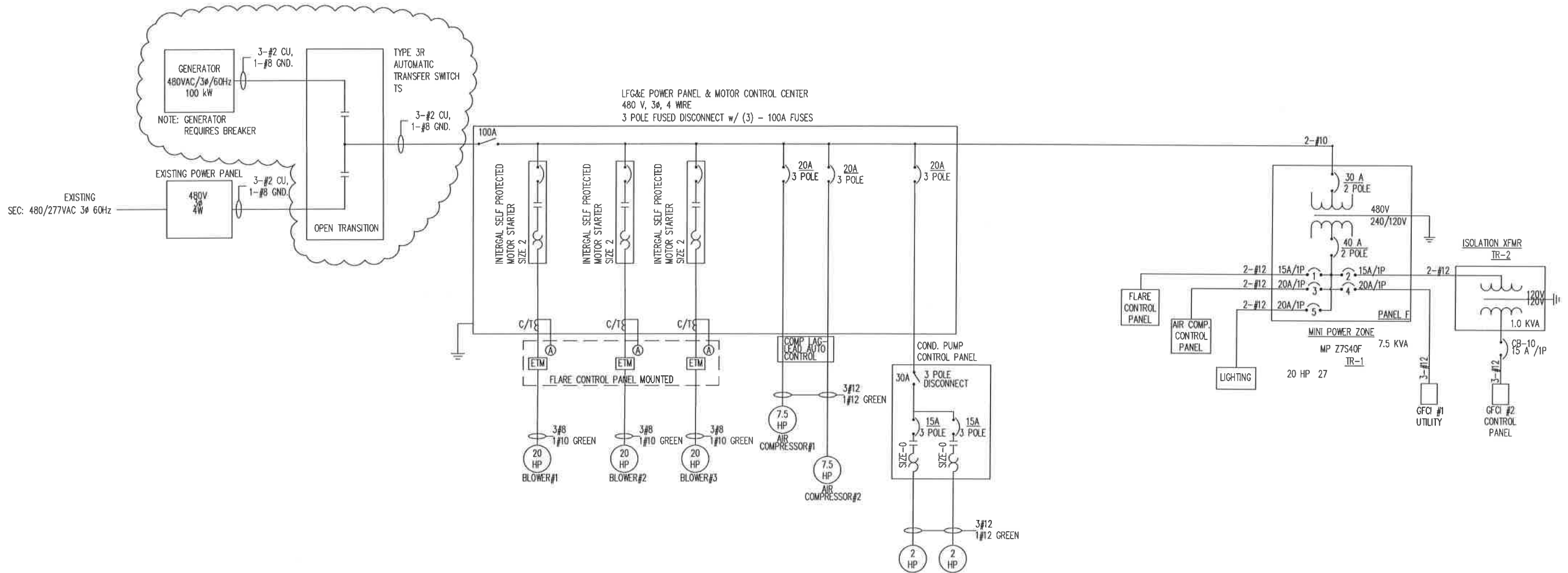
DATE:

PROCUREMENT:

DATE:

PROJECT MGR:

APPROVED
 PROJECT E.E.: *A. Olson*
 DATE: *02/25/2019*



- LEGEND**
- (LTC) LIGHTING
 - (V) VOLTAGE TRANSFORMER
 - XXX AMPS POLES
 - (C) CIRCUIT BREAKER
 - (M) UTILITY METER
 - (ETM) ELAPSE TIME METER
 - (O) OVERLOADS
 - (G) GROUND
 - (S) STARTER
 - (C/T) CURRENT TRANSFORMER
 - (A) AMP METER

480 VOLT LOAD SCHEDULE

ITEM	HP/KVA	AMPS (@ 480)
BLOWER #1	20 HP	2.7
BLOWER #2	20 HP	2.7
BLOWER #3	20 HP	2.7
AIR COMPRESSOR#1	7.5 HP	1.2
AIR COMPRESSOR#2	7.5 HP	1.2
CONTROL XFMR	7.5 KVA	6.4
COND. PUMP	2 HP	3.4
COND. PUMP	2 HP	3.4
SUB TOTAL		118.20 AMPS
ADD 25% LARGEST MOTOR		6.75 AMPS
TOTAL CONNECTED LOAD		124.95 AMPS

120/240 VOLT, 1Ø, 3W SCHEDULE

CKT NO.	LOAD DESCRIPTION	APPROX. LOAD PER PHASE/WATTS A B
1	CONTROL PANEL	250
2	ISO TRANS TR2	300
3	AIR COMP. CONTROL	250
4	CFG UTIL. RECEP.	
5	LIGHTING	1600 250
EST. LOAD PER PHASE		2150 500

NOTES:
 -CONTROLS WILL ONLY LET TWO BLOWERS RUN AT A TIME
 -CONTROLS WILL ONLY LET ONE AIR COMPRESSOR RUN AT A TIME.



LFG Specialties
 16406 US ROUTE 224 E
 FINDLAY, OH 45840-9761
 TELEPHONE: (419) 424-4999
 WEBSITE: www.APTIM.com

THIS DRAWING REPRESENTS INTELLECTUAL PROPERTY OF LFG SPECIALTIES, L.L.C. ANY MODIFICATIONS TO THE ORIGINAL BY OTHER THAN LFG SPECIALTIES, L.L.C. PERSONNEL VIOLATES ITS ORIGINAL PURPOSE AND AS SUCH IS RENDERED VOID. LFG SPECIALTIES, L.L.C. WILL NOT BE HELD LIABLE FOR ANY CHANGES MADE TO THIS DOCUMENT WITHOUT THE EXPRESS WRITTEN CONSENT OF THE ORIGINATOR.

TOLERANCE:

WBS COST CODES:
 10047181 - ELECTRICAL ENGINEERING
 10047176 - ELECTRICAL CAD
 10032102 - PROCUREMENT
 20031301 - SHOP SUPERVISION
 20027116 - ELECTRICAL LABOR
 20018420 - ELECTRICAL MATERIALS
 20019210 - OUTGOING FREIGHT
 00027101 - STARTUP SERVICES
 10027101 - CONSTRUCTION SERVICES

REV	DESCRIPTION / ISSUE	DATE	BY

ELECTRICAL ONE LINE DIAGRAM

SCALE: NONE
 DATE: 02/25/2019
 PROJECT NO: 63100390.00221320

PROJECT NAME:
 TRITON FLARE GF-800
 AMERICAN CANYON LANDFILL
 NAPA COUNTY, CA

CUSTOMER:
 XXXXXXXXXXXXXXXXXXXX

SERIAL NO.: XXXX
DWG NO.: EP1
DATE: 1