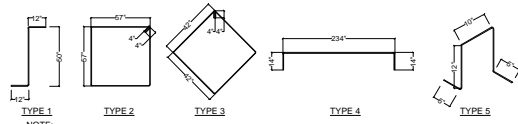
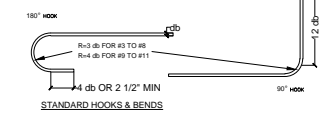
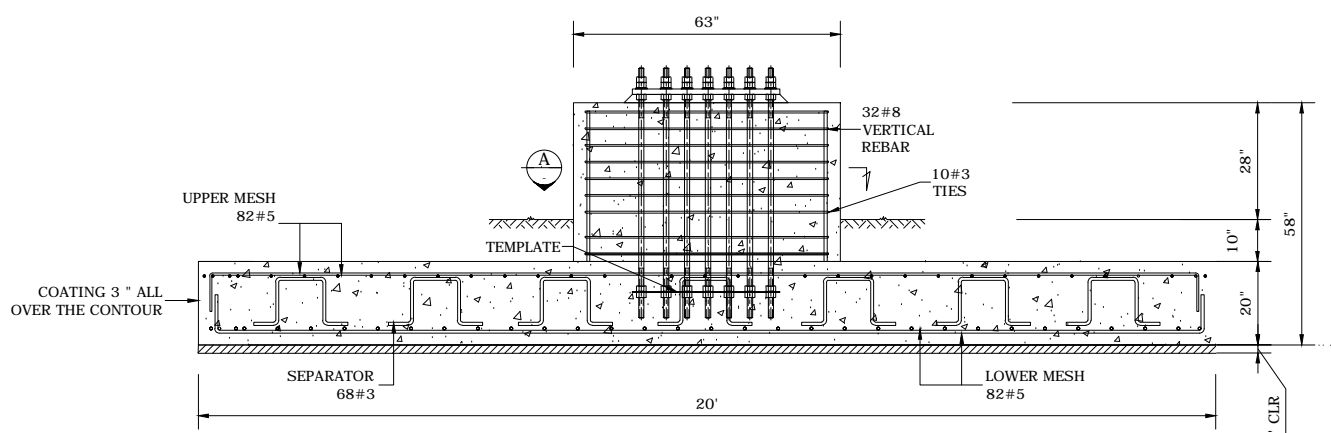


MINIMUM BAR LAPS FOR REINFORCING STEEL CONCRETE STRENGTH: 2500 PSI OR GREATER (STAGGER SPLICES)	
SIZE	LAP LENGTH (INCHES)
#4	24
#8	76

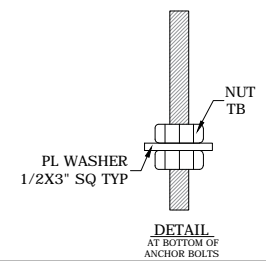
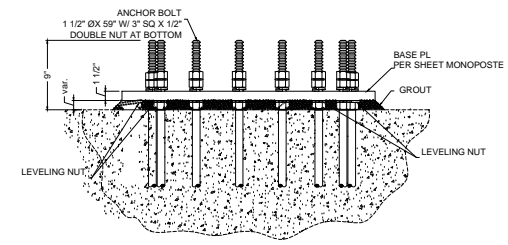
(CLASS B TOP BAR)
 BAR SPC'G SHALL NOT BE LESS THAN 4X BAR DIA OR 4"
 WHERE COVER NOT LESS THAN 1 1/2" #5 LAP LENGTH=30"
 CONC COVER FOR REINF STL CLR
 CAST AGAINST EARTH OR GR 4"
 EXPOSED TO EARTH OR WEATHER 4"
 #5 SMALLER 1 1/2"
 #6 LARGER 2"
 NOT EXPOSED TO EARTH OR WEATHER 1"
 #6 SMALLER 1"
 #6 LARGER & ALL BM STIRRUPS, COL TIES & SPIRALS 1 1/2"
 ALL REINF BARS SHALL EXTEND AS FAR AS POSSIBLE & END IN A STD 90° OR 180° HK UNLESS DETAILED OTHERWISE



OVERLAPS AT ENDS OF ADJACENT CIRCULAR TIES SHALL BE STAGGERED AROUND PERIMETER EN CLOSING THE LONGITUDINAL BARS.



ELEVACION GENERAL
 ESCALA 1 : 25



DETAIL
 AT BOTTOM OF ANCHOR BOLTS

THIS DOCUMENT AND THE IDEAS INCORPORATED HEREIN, AS AN INSTRUMENT OF PROFESSIONAL SERVICE, IS THE PROPERTY OF THE ENGINEER AND SHALL NOT BE USED, IN WHOLE OR IN PART, FOR ANY OTHER PROJECT WITHOUT THE PRIOR WRITTEN AUTHORIZATION OF THE ENGINEER.

Revision Schedule		
Revision Number	Revision Description	Revision Date

DESIGN:



A. J. INGENIEROS DE GUATEMALA S.A.
 TELEFONO: (2003) 2207
 CARRETERA AL SALVADOR KILOMETRO 26.6

PROJECT:

SITE
 SODA CANYON

SHEET DESCRIPTION

FOUNDATION
 DETAILS

DATE: 2020-17-02

No.

1/1