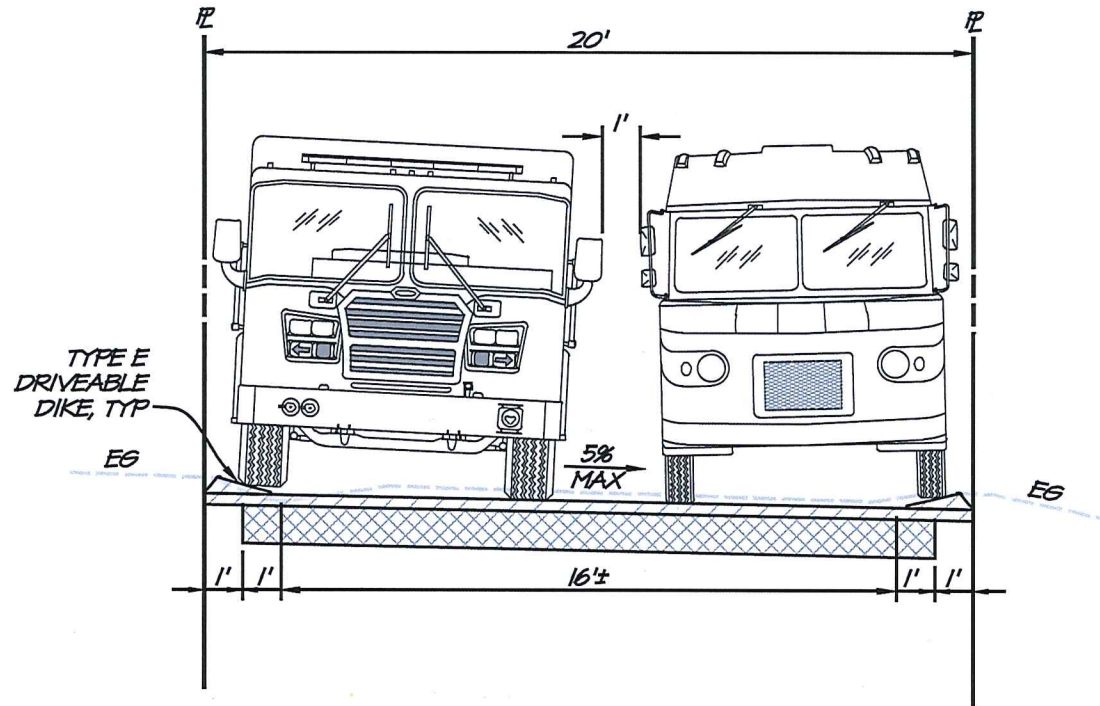


# ANTHEM WINERY TYPE 1 ENGINE AND DELIVERY TRUCK PASSING ON TYPE A DRIVEWAY



## GRAPHIC SCALE



( IN FEET )  
1 inch = 5 FT

**RSA<sup>+</sup>**

1515 FOURTH STREET  
NAPA, CALIF. 94559  
OFFICE | 707 | 252.3301  
+ www.RSAcivil.com +

RSA<sup>+</sup> | CONSULTING CIVIL ENGINEERS + SURVEYORS + est. 1980  
JANUARY 12, 2018 4111010.0 Exh-Road Clr.dwg